

PIPE SIZES

INLET \_\_\_\_\_

OUTLET \_\_\_\_\_

DRAIN \_\_\_\_\_

INJECTOR \_\_\_\_\_

METER \_\_\_\_\_

DIMENSIONS

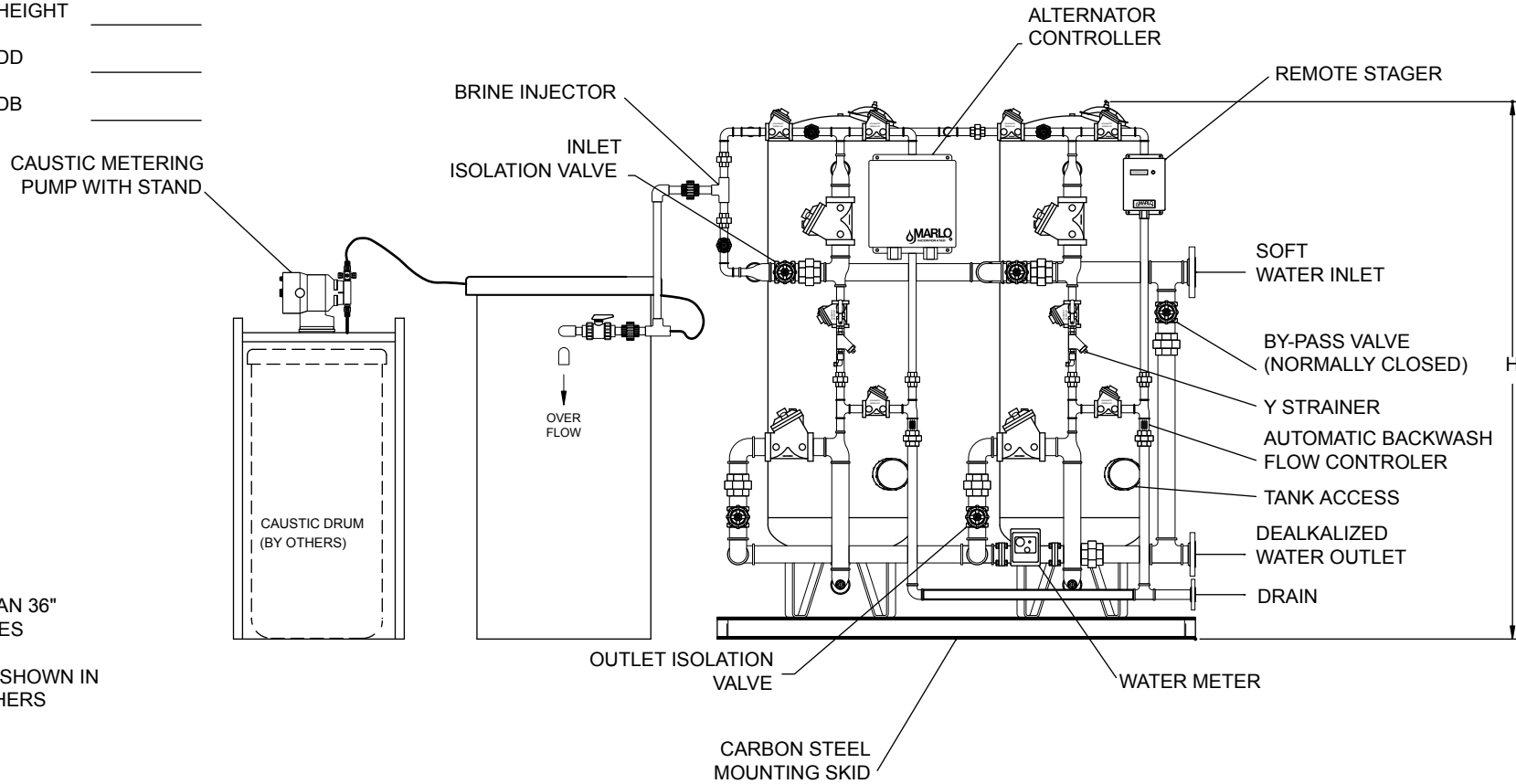
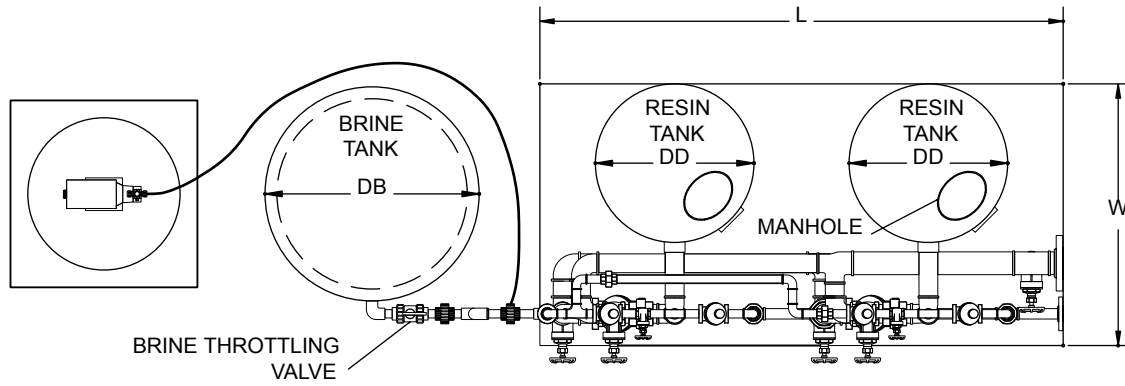
LENGTH \_\_\_\_\_

WIDTH \_\_\_\_\_

HEIGHT \_\_\_\_\_

DD \_\_\_\_\_

DB \_\_\_\_\_



RESIN TANKS SMALLER THAN 36" DIAMETER HAVE HANDHOLES

5-241

ALL PIPING, FITTINGS, ETC SHOWN IN BROKEN LINES ARE BY OTHERS

REVISIONS			
NO.	DATE	BY	REMARKS



MDAS TWIN ALTERNATING DEALKALIZER SYSTEM SKID MOUNTED

FRAC. ±	DEC. ±	FILE ID.	MDAS TW ALT SKID	
DRN.	RMM	SCALE	NTS	SHEET 1 OF 1
APP'D.	DRAWING NO.			REV.
DATE	9-14-04			0